

# Installation Instructions For The Lomanco SV-10 Starter Vent

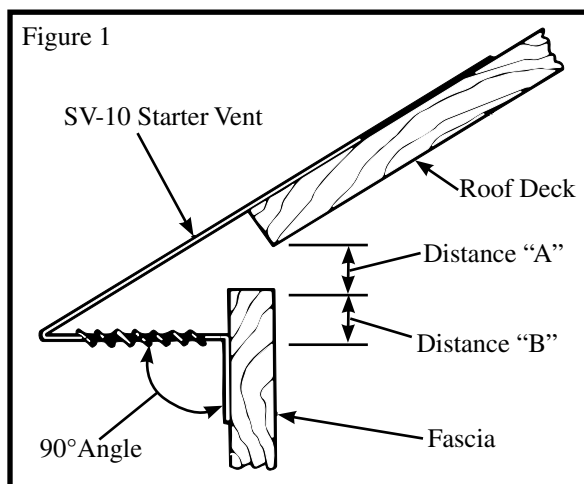
The SV-10 is an intake vent and will help rid your attic of damaging heat and moisture when properly installed in conjunction with exhaust vents.

These instructions will help you install your SV-10 Starter Vents for best service.

**IMPORTANT!** Read this **ENTIRE** set of instructions carefully, before attempting to install your Lomanco SV-10 Vent.

## Step By Step Installation

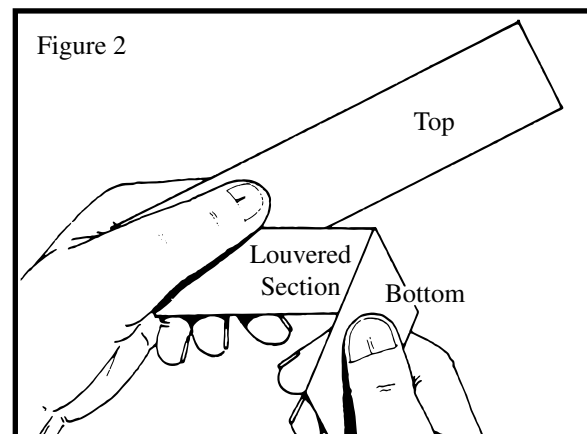
**STEP 1**— The SV-10 works by letting fresh air in your attic through an opening (Distance A) between the roof decking and the top of the fascia. (See Figure 1) This opening from the bottom of the roof decking to the top of the fascia board should always be at least 1/2”.



SV-10 Starter Vent installed cross-section.

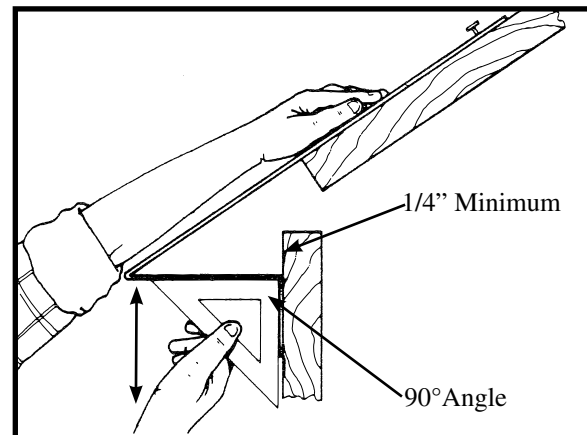
**STEP 2**—It is important that the louvered section of the vent be installed at a 90° angle to the fascia. The attached locator gauge will help you accomplish this at any roof angle.

To find this position, remove the locator gauge attached to these instructions and fold it as shown in Figure 2.



Folding the Locator Gauge.

Then, set the top part of the gauge on the roof deck and the bottom part of the gauge against the fascia board to the approximate correct position near one of the ends of the eave to be vented, as shown in Figure 1. Then, lightly tack the top of the gauge to the roof deck and take a speed square and move the gauge until the part marked “louvered Section” is at a 90° angle to the fascia as shown in Figure 3. Once the position of the vent is located, make sure that the top of the fascia board extends at least 1/4” (Distance B) above the louvered section of the vent.



Using the Locator Gauge and speed square.

Tear Along Perforation

**TOP**

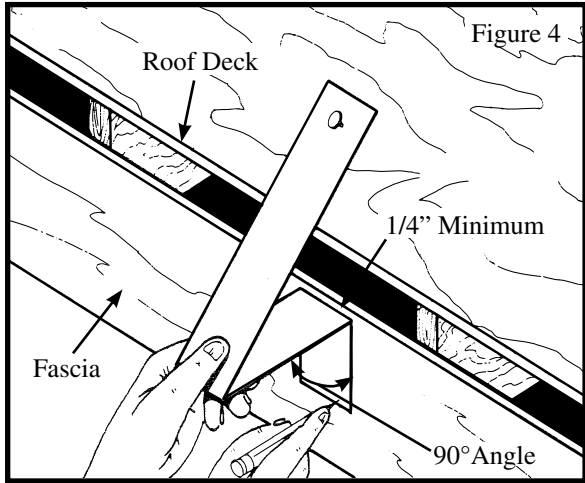
Fold Here

Fold Here

**BOTTOM**

When you arrive at this measurement, mark the fascia at the bottom of the gauge as shown in Figure 4. Then go to the opposite end of the eave to be vented, repeat this procedure.

Connect a chalk line between these two points and snap it. You will align the bottom of the vent on this line.

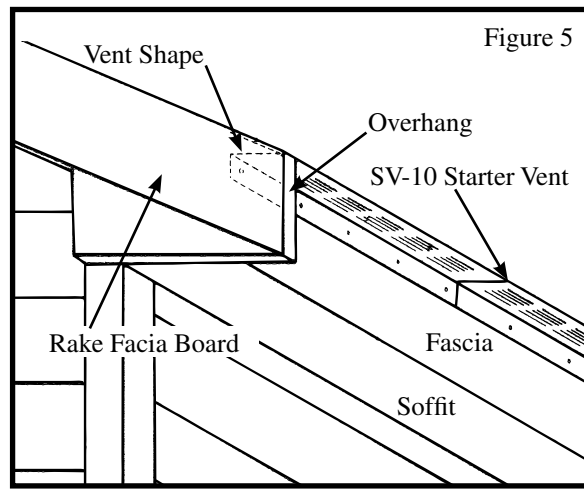


Marking the correct spot.

### STEP 3—ATTACHING THE VENT

Starting at either end of the eave to be vented, butt the vent to the rake board, align the bottom of the vent with the chalk line and then nail the vent to the fascia.

The SV-10 comes in 10 foot sections, so on most installations, it will be necessary to use more than one section to complete the job. When this is necessary, simply overlap the vent sections at least 1/4" and continue installation.



The installed SV-10 ready for finishing and roofing.

In most cases, it will be necessary to cut a section of vent to install the final section. The cut should be made with tin snips. Measure and cut your final piece so that the factory edge will butt against the rake board and the end you have cut will go under the adjoining section by at least 1/4".

### STEP 4—COMPLETING THE INSTALLATION

Now, nail the top of the vent to the roof deck and the installation is complete. (Note -The SV-10 must always be installed UNDER all shingles or other roofing materials.) Shingles should be installed to cover the top part of the vent completely to the drip edge. A completed SV-10 installation is shown in Figure 5.

Tear Along Perforation



**LOMANCO**  
 P.O. Box 519  
 Jacksonville, AR 72076  
 800.643.5596  
 www.lomanco.com

Louvered  
Section