

LOMANCO 140 SOFFIT VENT INSTALLATION INSTRUCTIONS

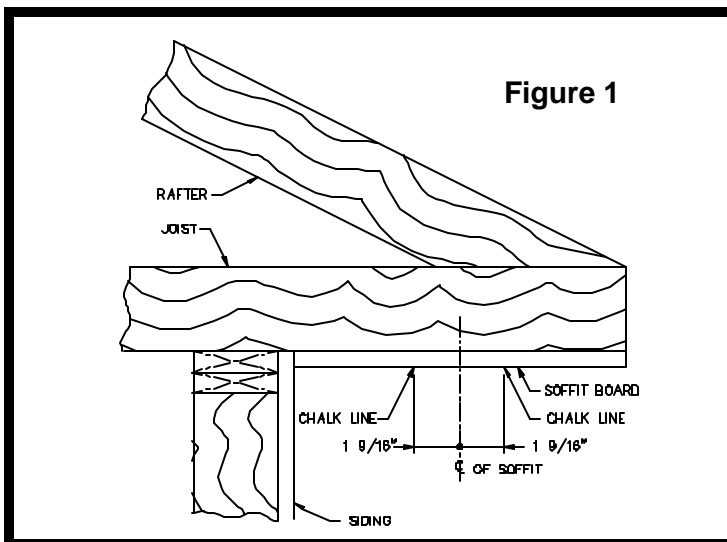
**FOR EXISTING
CONSTRUCTION!**

Congratulations on your purchase of the Lomanco 140 continuous soffit vent. The 140 is a continuous soffit ventilator which will help rid your attic of damaging heat and moisture when properly installed in conjunction with exhaust vents.

IMPORTANT! Read this **ENTIRE** set of instructions carefully, before attempting to install your Lomanco 140 Soffit Vent.

STEP-1

Find centerline of soffit and strike chalk line $1\frac{9}{16}$ " on either side of this centerline. This will give you a $3\frac{1}{8}$ " cutout centered in soffit to place 140 soffit vent into. (see Fig. 1)



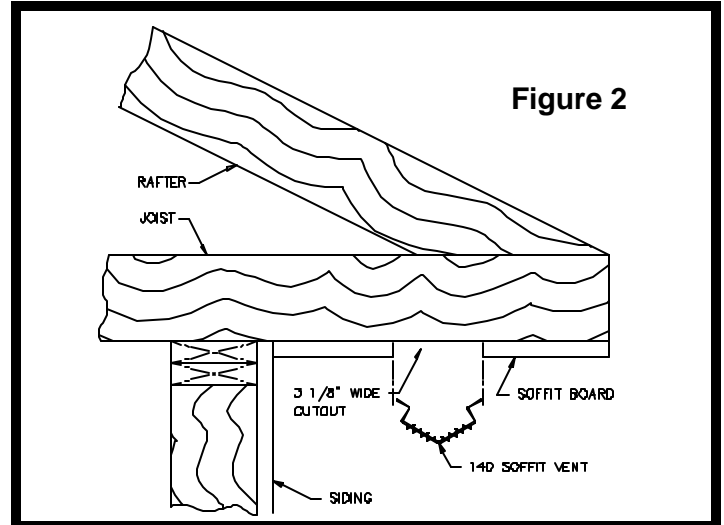
STEP-2

Determine thickness of soffit board and set saw blade depth to avoid cutting joist. Cut along chalk line and remove soffit board, nails, etc. from inside cutout.

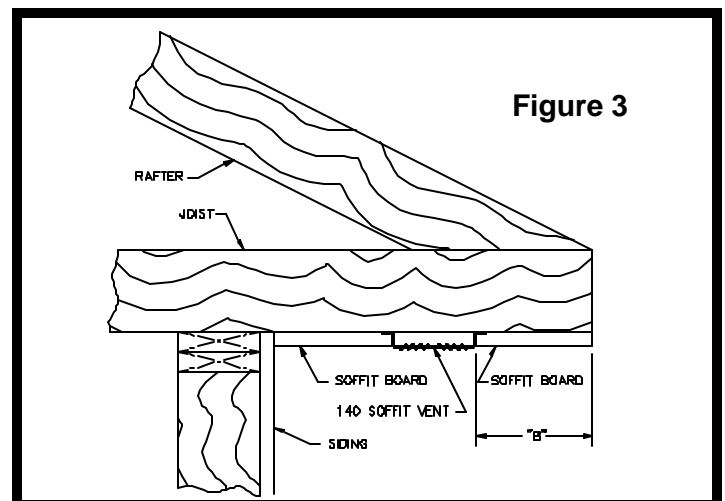
STEP-3

Squeeze 140 together slightly so it will fit through the cutout slip 140 into the cutout and release, the 140 should now return to its original shape. (See Fig. 2)

The 140 comes in 8 foot sections, so on most installations, it will be necessary to use more than one section to complete the job. When this is necessary, simply overlap the vent sections at least $\frac{1}{4}$ " and continue installation.



In most cases, it will be necessary to cut a section of vent to install the final section. The cut should be made with tin snips. Measure and cut your final piece so that the factory edge will butt against the fascia board and the end you have cut will go under the adjoining section by at least $\frac{1}{4}$ ".



It must be noted that the 140 soffit vent will only ventilate your attic if it has a clear air passage, therefore it will be necessary to ensure that attic insulation as well as any other materials do not block your vents air passage.