

# LOMANCO 140 SOFFIT VENT INSTALLATION INSTRUCTIONS

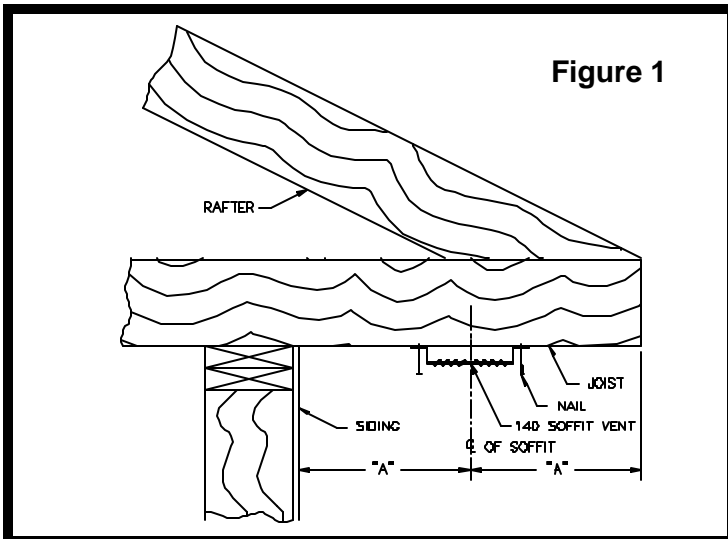
**FOR NEW  
CONSTRUCTION!**

Congratulations on your purchase of the Lomanco 140 continuous soffit vent. The 140 is a continuous soffit ventilator which will help rid your attic of damaging heat and moisture when properly installed in conjunction with exhaust vents.

**IMPORTANT!** Read this **ENTIRE** set of instructions carefully, before attempting to install your Lomanco 140 Soffit Vent.

## STEP-1

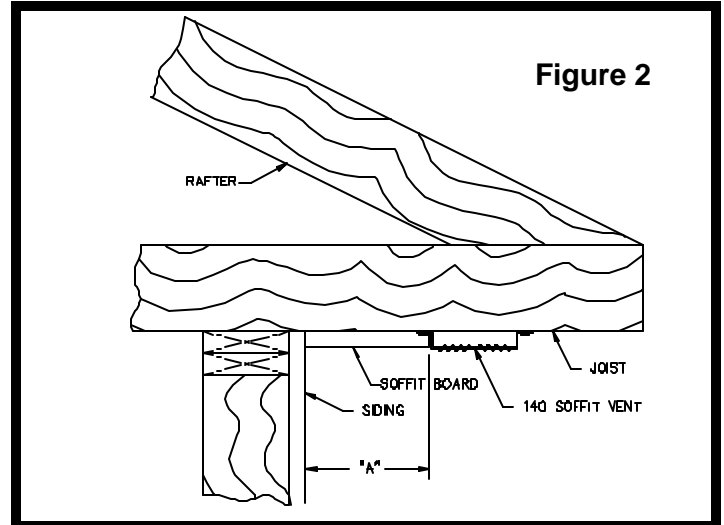
Center the 140 soffit vent on the centerline of the soffit and nail to joist as shown in Fig 1. The 140 comes in 8 foot sections, so on most installations, it will be necessary to use more than one section to complete the job. When this is necessary, simply overlap the vent sections at least  $\frac{1}{4}$ " and continue installation.



In most cases, it will be necessary to cut a section of vent to install the final section. The cut should be made with tin snips. Measure and cut your final piece so that the factory edge will butt against the fascia board and the end you have cut will go under the adjoining section by at least  $\frac{1}{4}$ ".

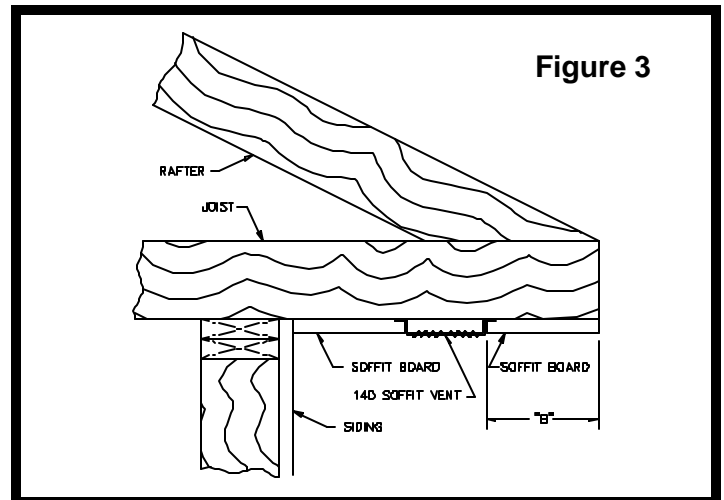
## STEP-2

Cut first section of soffit to fit dimension "A" and nail in place as shown in Fig. 2.



## STEP-3

Cut second section of soffit to fit dimension "B" and nail fascia in place as shown in Fig. 3.



***It must be noted that the 140 soffit vent will only ventilate your attic if it has a clear air passage, therefore it will be necessary to ensure that attic insulation as well as any other materials do not block your vents air passage.***